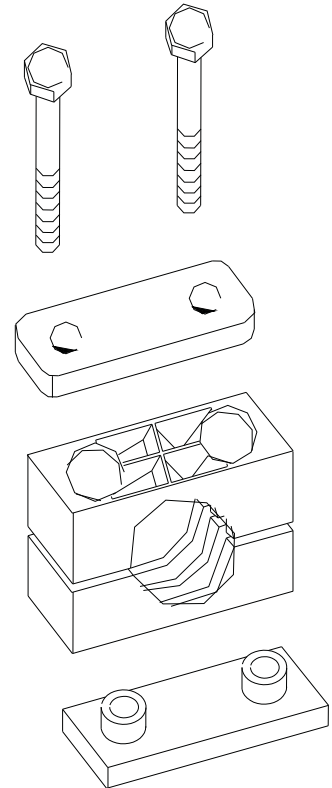


SOPORTE COMPLETO PARA TUBO DE ACERO

CODIGO	TUBO MM	CAÑO	TUBO (P.I.)
C1	6-8-10-12-14	1/8-1/4	1/4-5/16-3/8-1/2
C2	6-8-10-12	1/8-1/4	1/4-5/16-3/8-1/2
C3	14-15-16-18	1/4-3/8	5/8
C4	20-22-23-25	1/2	3/4-1"
C5	26-30-32	3/4	1 1/4
C6	32-35-38-40-42-45	1"-1 1/4	1 1/2
C7	45-48,3-50,8-54	1 1/2	1 3/4-2"
C8	57,2-60,3-63,5-70-73-76	2"	2 1/4-2 1/2-2 3/4 3"
C9	88,9-102		3 1/2



SOPORTE DOBLE PARA TUBO DE ACERO

CODIGO	TUBO MM	CAÑO	TUBO P.I.
CF1	6/6,8/8,10/10, 12/12		1/4-1/4, 3/8-3/8, 1/2-1/2
CF2	14/14,15/ 15,16/16, 17/17	1/4-1/4, 3/8-3/8	1/2-1/2, 5/8-5/8
CF3	20/20,22/ 22,25/25	1/2-1/2	3/4-3/4, 1"-1"
CF4	28/28,30/ 30	3/4-3/4	
CF5	33/33,35/ 35,38/38, 40/40,42/42	1"-1", 1 1/4-1 1/4	1 1/4-1 1/4, 1 1/2-1 1/2

