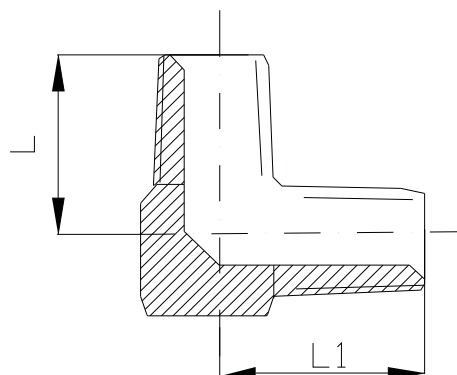


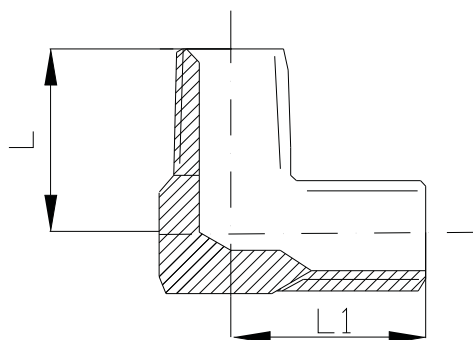
CODO 90° MACHO X MACHO NPT

CODIGO	ROSCA NPT	L	L1
911-2-2	1/8"	25	25
911-2-4	1/8" x 1/4"	25	28
911-4-4	1/4"	28	28
911-4-6	1/4" x 3/8"	28	31
911-6-6	3/8"	31	31
911-6-8	3/8" x 1/2"	31	37
911-8-8	1/2"	37	37
911-8-12	1/2" x 3/4"	37	40
911-12-12	3/4"	40	40
911-12-16	3/4" x 1"	40	52
911-16-16	1"	52	52



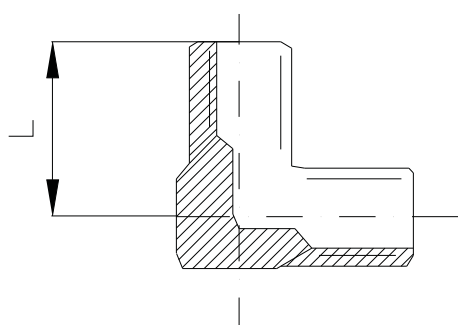
CODO 90° MACHO X HEMBRA NPT

CODIGO	ROSCA NPT	L	L1
911-2i-2	1/8"	25	20
911-4i-4	1/4"	28	21
911-6i-6	3/8"	31	31
911-8i-8	1/2"	37	33
911-12i-12	3/4"	40	35
911-16i-16	1"	52	47



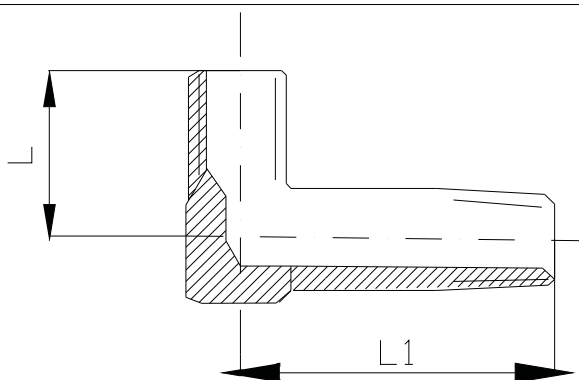
CODO 90° HEMBRA X HEMBRA NPT

CODIGO	ROSCA NPT	L
911-2i-2i	1/8"	20
911-4i-4i	1/4"	21
911-6i-6i	3/8"	31
911-8i-8i	1/2"	37
911-12i-12i	3/4"	40
911-16i-16i	1"	52



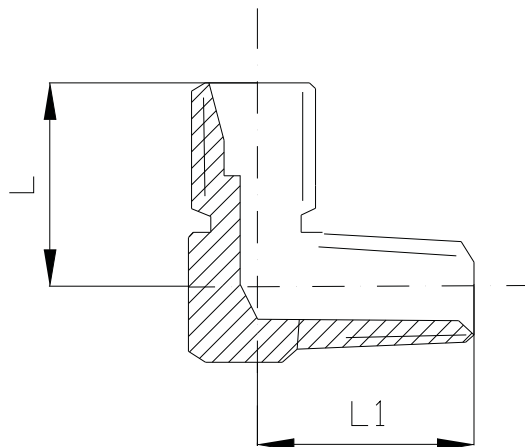
CODO 90° HEMBRA X MACHO LARGO NPT

CODIGO	ROSCA NPT	L	L1
L911-2i-2	1/8"	20	40
L911-4i-4	1/4"	21	52
L911-6i-6	3/8"	31	59
L911-8i-8	1/2"	37	72
L911-12i-12	3/4"	40	96
L911-16i-16	1"	52	101



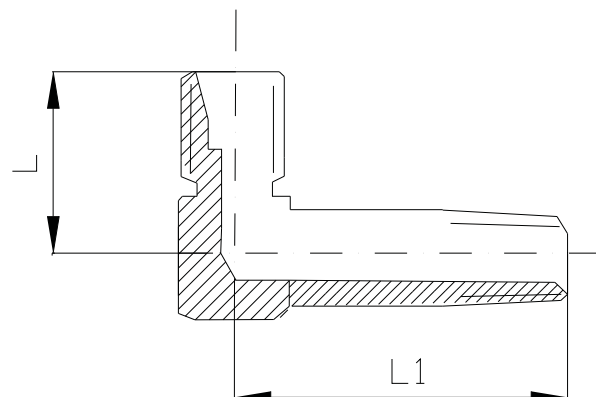
CODO 90° ASIENTO TUBO X NPT

CODIGO	ROSCA	L	L1
921-2-2	7/16" x 1/8"	15	20
921-4-2	9/16" x 1/8"	17	22
921-2-4	7/16" x 1/4"	23	28
921-4-4	9/16" x 1/4"	23	28
921-6-4	3/4" x 1/4"	24	29
921-4-6	9/16" x 3/8"	26	31
921-6-6	3/4" x 3/8"	26	31
921-8-6	7/8" x 3/8"	28	33
921-6-8	3/4" x 1/2"	32	37
921-8-8	7/8" x 1/2"	32	37
921-10-8	1 1/16" x 1/2"	35	40
921-8-12	7/8" x 3/4"	35	40
921-10-12	1 1/16" x 3/4"	35	40
921-12-12	1 3/16" x 3/4"	38	43
921-14-16	1 5/16" 1"	45	50
921-16-16	1 5/8" x 1"	47	52
921-16-20	1 5/8" x 1 1/4"	55	60
921-20-20	1 7/8" x 1 1/4"	55	60
921-24-24	2 1/2" x 1 1/2"	71	76



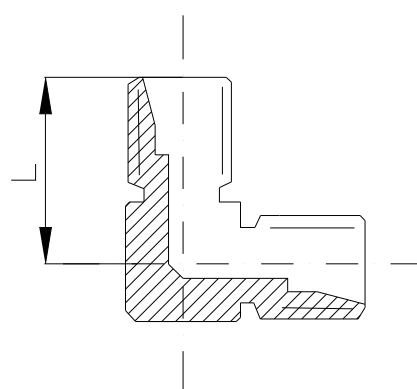
CODO 90° ASIENTO TUBO X NPT LARGO

CODIGO	ROSCA	L	L1
L 921-2-2	7/16" x 1/8"	25	40
L 921-4-4	9/16" x 1/4"	23	52
L 921-6-6	3/4" x 3/8"	26	59
L 921-8-8	7/8" x 1/2"	32	72
L 921-10-12	1 1/16" x 3/4"	35	86
L 921-12-12	1 3/16" x 3/4"	38	96
L 921-14-16	1 5/16" 1"	45	101



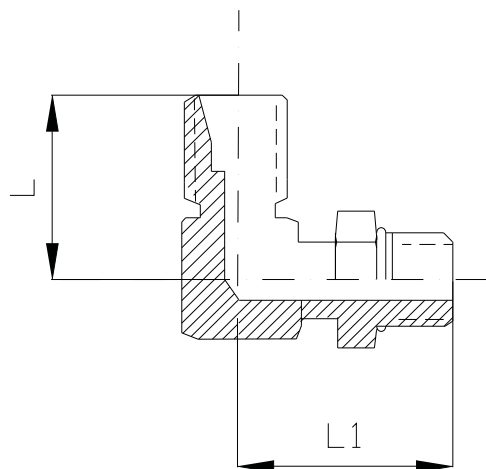
CODO 90° ASIENTO TUBO X TUBO

CODIGO	ROSCA UNF	TUBO	L
922-2-2	7/16"	1/4"	20
922-4-4	9/16"	3/8"	23
922-6-6	3/4"	1/2"	26
922-8-8	7/8"	5/8"	32
922-10-10	1 1/16"	3/4"	35
922-12-12	1 3/16"	7/8"	37
922-14-14	1 5/16"	1"	47
922-16-16	1 5/8"	1 1/4"	55



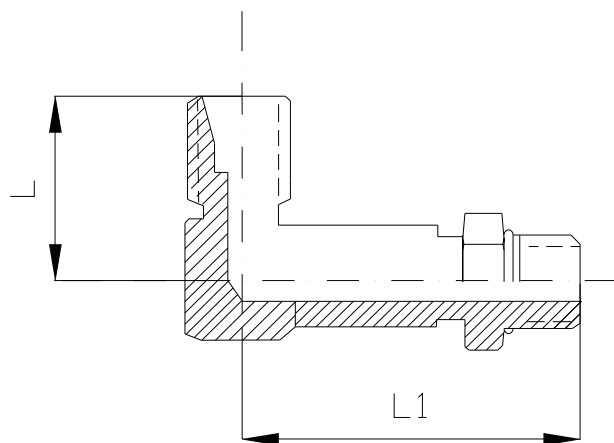
CODO 90° ASIENTO TUBO X ORING

CODIGO	ROSCA UNF	L	L1
928-4-4	9/16"	22	27
928-6-4	3/4" x 9/16"	32	37
928-4-6	9/16" x 3/4"	24	29
928-6-6	3/4"	27	32
928-8-6	7/8" x 3/4"	32	37
928-6-8	3/4" x 7/8"	29	34
928-8-8	7/8"	32	37
928-10-8	1 1/16" x 7/8"	34	39
928-8-10	7/8" x 1 1/16"	37	42
928-10-10	1 1/16"	37	42
928-12-10	1 3/16" x 1 1/16"	44	49
928-10-12	1 1/16" x 1 3/16"	39	44
928-12-12	1 3/16"	39	44
928-14-12	1 5/16" x 1 3/16"	39	44
928-12-14	1 3/16" x 1 5/16"	41	46
928-14-14	1 5/16"	41	46
928-14-16	1 5/16" x 1 5/8"	47	52
928-16-16	1 5/8"	47	52



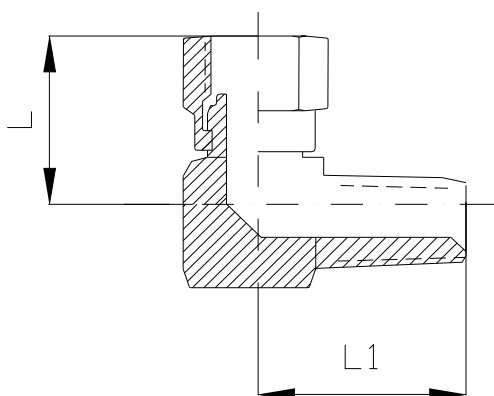
CODO 90° LARGO ASIENTO TUBO X ORING

CODIGO	ROSCA UNF	L	L1
L 928-4-4	9/16"	22	58
L 928-6-6	3/4"	32	75
L 928-8-6	7/8" x 3/4"	32	75
L 928-8-8	7/8"	32	90
L 928-10-10	1 1/16"	39	105
L 928-12-12	1 3/16"	41	118
L 928-14-14	1 5/16"	41	147
L 928-16-16	1 5/8"	47	182



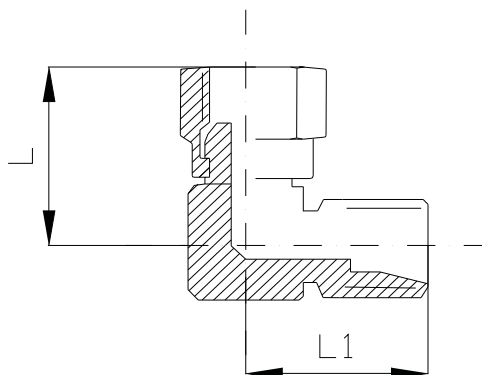
CODO 90° HEMBRA GIRATORIA ASIENTO TUBO X NPT

CODIGO	ROSCA	L	L1
931-4-4	9/16" x 1/4"	32	27
931-6-6	3/4" x 3/8"	35	30
931-8-6	7/8" x 3/8"	41	36
931-6-8	3/4" x 1/2"	35	30
931-8-8	7/8" x 1/2"	41	36
931-10-12	1 1/16" x 3/4"	44	39
931-12-12	1 3/16" x 3/4"	45	40
931-14-16	1 5/16" x 1"	51	40



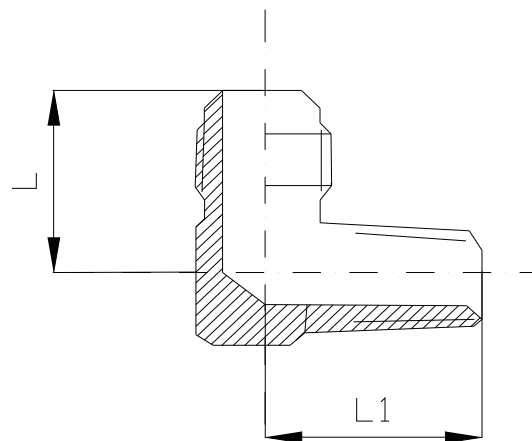
CODO 90° HEMBRA GIRATORIA X MACHO FIJO AS. TUBO

CODIGO	ROSCA	L	L1
932-4-4	9/16"	32	23
932-6-6	3/4"	35	26
932-8-8	7/8"	41	32
932-10-10	1 1/16"	44	35
932-12-12	1 3/16"	45	37
932-14-14	1 5/16"	51	47
932-16-16	1 5/8"	63	55



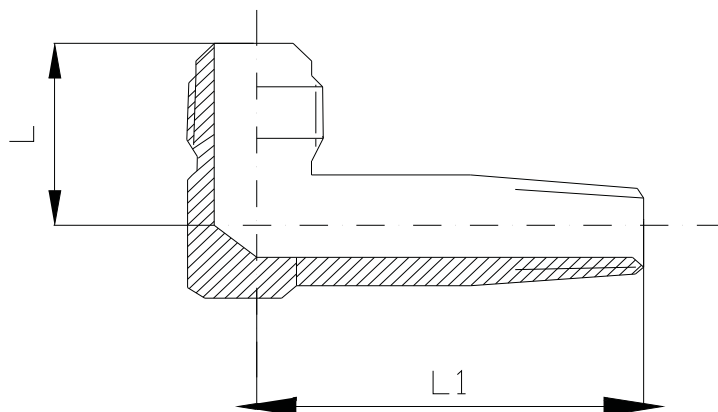
CODO 90° MACHO FIJO JIC X NPT

CODIGO	ROSCA	L	L1
941-2-2	7/16" x 1/8"	23	20
941-4-2	9/16" x 1/8"	27	22
941-2-4	7/16" x 1/4"	27	28
941-4-4	9/16" x 1/4"	27	28
941-6-4	3/4" x 1/4"	32	29
941-4-6	9/16" x 3/8"	29	31
941-6-6	3/4" x 3/8"	32	31
941-8-6	7/8" x 3/8"	37	33
941-6-8	3/4" x 1/2"	34	37
941-8-8	7/8" x 1/2"	37	37
941-10-8	1 1/16" x 1/2"	42	40
941-8-12	7/8" x 3/4"	39	40
941-10-12	1 1/16" x 3/4"	42	40
941-12-12	1 3/16" x 3/4"	44	43
941-14-16	1 5/16" 1"	46	50
941-16-16	1 5/8" x 1"	52	52
941-16-20	1 5/8" x 1 1/4"	52	60
941-20-20	1 7/8" x 1 1/4"	52	60
941-24-24	2 1/2" x 1 1/2"	78	76



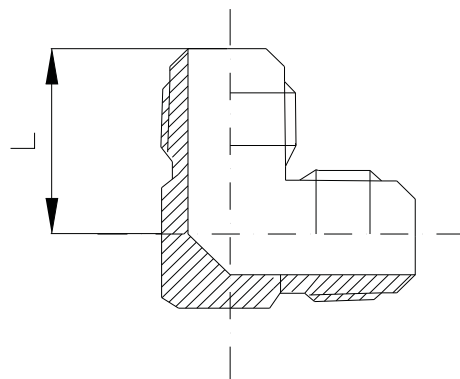
CODO 90° JIC X NPT LARGO

CODIGO	ROSCA	L	L1
L 941-2-2	7/16" x 1/8"	23	40
L 941-4-4	9/16" x 1/4"	27	52
L 941-6-6	3/4" x 3/8"	32	59
L 941-8-8	7/8" x 1/2"	37	72
L 941-10-12	1 1/16" x 3/4"	42	82
L 941-12-12	1 3/16" x 3/4"	44	96
L 941-14-16	1 5/16" 1"	46	101



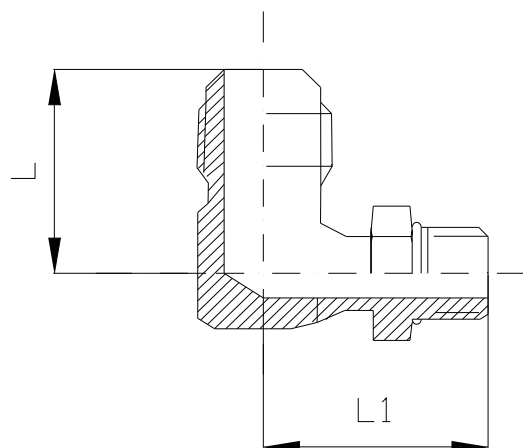
CODO 90° JIC X JIC

CODIGO	ROSCA	L
944-2-2	7/16"	23
944-4-4	9/16"	27
944-6-6	3/4"	32
944-8-8	7/8"	37
944-10-10	1 1/16"	42
944-12-12	1 3/16"	46
944-14-14	1 5/16"	52
944-16-16	1 5/8"	58



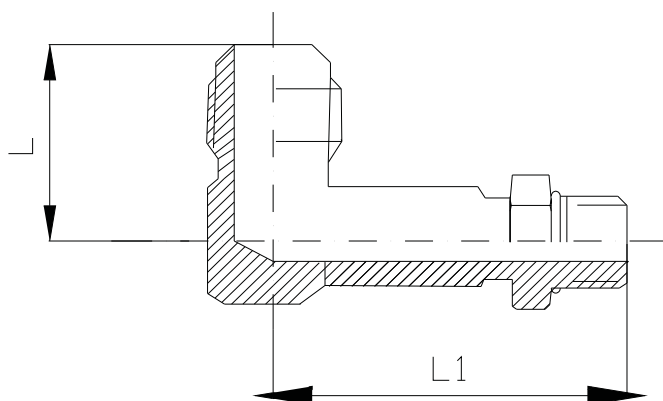
CODO 90° JIC X ORING

CODIGO	ROSCA UNF	L	L1
948-4-4	9/16"	32	27
948-6-4	3/4" x 9/16"	32	37
948-4-6	9/16" x 3/4"	36	29
948-6-6	3/4"	37	32
948-8-6	7/8" x 3/4"	39	37
948-6-8	3/4" x 7/8"	43	34
948-8-8	7/8"	43	37
948-10-8	1 1/6" x 7/8"	49	39
948-8-10	7/8" x 1 1/16"	49	42
948-10-10	1 1/16"	49	42
948-12-10	1 3/16" x 1 1/16"	51	49
948-10-12	1 1/16" x 1 3/16"	49	44
948-12-12	1 3/16"	51	44
948-14-12	1 5/16" x 1 3/16"	52	44
948-12-14	1 3/16" x 1 5/16"	51	46
948-14-14	1 5/16"	52	46
948-14-16	1 5/16" x 1 5/8"	51	52
948-16-16	1 5/8"	57	52



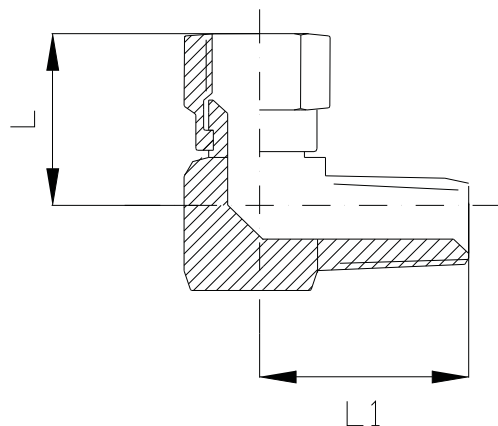
CODO 90° JIC X ORING LARGO

CODIGO	ROSCA UNF	L	L1
L 948-4-4	9/16"	27	58
L 948-6-6	3/4"	32	78
L 948-8-6	7/8" x 3/4"	37	75
L 948-8-8	7/8"	37	90
L 948-10-10	1 1/16"	42	105
L 948-12-12	1 3/16"	46	118
L 948-14-14	1 5/16"	52	147
L 948-16-16	1 5/8"	58	182



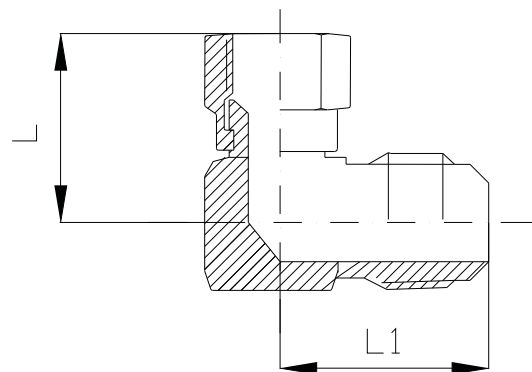
CODO 90° HEMBRA GIRATORIA JIC X NPT

CODIGO	ROSCA	L	L1
951-4-4	9/16" x 1/4"	32	28
951-6-6	3/4" x 3/8"	35	31
951-8-6	7/8" x 3/8"	41	31
951-6-8	3/4" x 1/2"	35	37
951-8-8	7/8" x 1/2"	41	37
951-10-12	1 1/16" x 3/4"	44	40
951-12-12	1 3/16" x 3/4"	45	43
951-14-16	1 5/16" x 1"	51	50



CODO 90° HEMBRA GIRATORIA JIC X MACHO FIJO JIC

CODIGO	ROSCA	L	L1
954-4-4	9/16"	32	27
954-6-6	3/4"	35	32
954-8-8	7/8"	41	37
954-10-10	1 1/16"	44	42
954-12-12	1 3/16"	45	46
954-14-14	1 5/16"	51	52
954-16-16	1 5/8"	63	58



CODO 90° HEMBRA GIRATORIA BSP X MACHO FIJO BSPT

CODIGO	ROSCA	L	L1
971-4-4	1/4"	25	28
971-6-6	3/8"	32	35
971-8-8	1/2"	32	37
971-12-12	3/4"	33	40
971-16-16	1"	41	52

