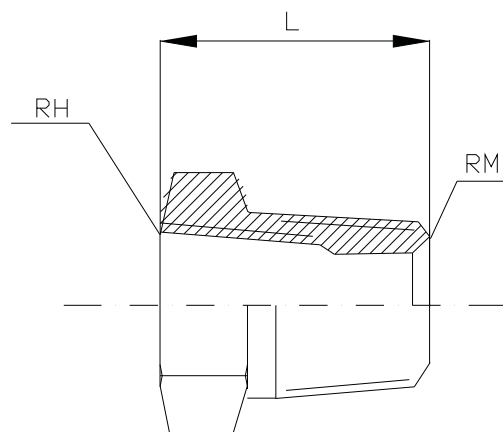


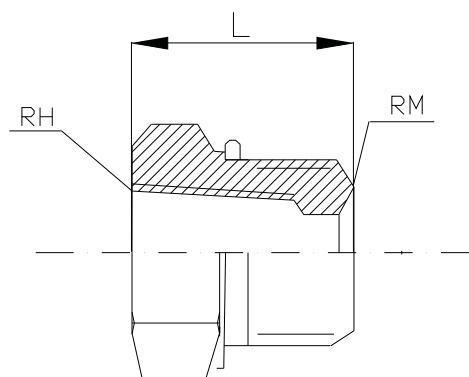
REDUCCION MACHO NPT X HEMBRA NPT

CODIGO	RH	RM	L
611-2i-4	1/8"	1/4"	22
611-2i-6	1/8"	3/8"	22
611-4i-6	1/4"	3/8"	22
611-4i-8	1/4"	1/2"	28
611-6i-8	3/8"	1/2"	28
611-4i-12	1/4"	3/4"	30
611-6i-12	3/8"	3/4"	30
611-8i-12	1/2"	3/4"	30
611-8i-16	1/2"	1"	35
611-12i-16	3/4"	1"	35
611-12i-20	3/4"	1 1/4"	39
611-16i-20	1"	1 1/4"	39
611-16i-24	1"	1 1/2"	41
611-20i-24	1 1/4"	1 1/2"	41
611-20i-32	1 1/4"	2"	41
611-24i-32	1 1/2"	2"	41



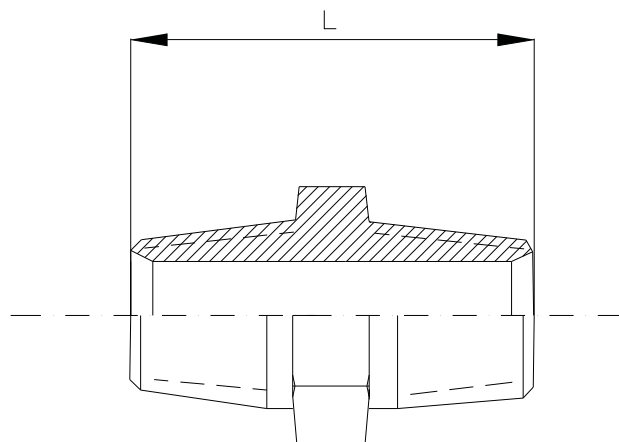
REDUCCION MACHO ORING X HEMBRA NPT

CODIGO	RH	RM	L
618-2i-4	1/8"	9/16"	25
618-2i-6	1/8"	3/4"	27
618-4i-6	1/4"	3/4"	27
618-4i-8	1/4"	7/8"	29
618-6i-8	3/8"	7/8"	29
618-8i-8	1/2"	7/8"	29
618-8i-10	1/2"	1 1/16"	36
618-8i-12	1/2"	1 3/16"	38
618-8i-14	1/2"	1 5/16"	39
618-12i-14	3/4"	1 5/16"	39
618-12i-16	1/2"	1 5/8"	44
618-12i-20	1"	1 7/8"	55



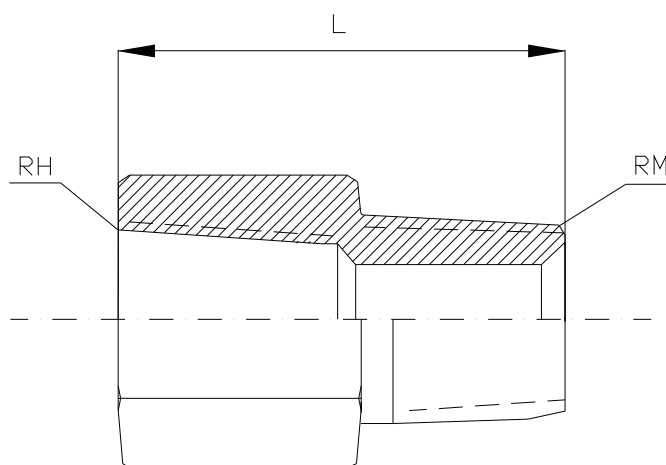
ENTREROSCA NPT X NPT

CODIGO	ROSCA	L
711-2-2	1/8"	27
711-2-4	1/8" x 1/4"	30
711-4-4	1/4"	33
711-4-6	1/4" x 3/8"	35
711-6-6	3/8"	37
711-6-8	3/8" x 1/2"	41
711-8-8	1/2"	48
711-8-12	1/2" x 3/4"	48
711-12-12	3/4"	50
711-12-16	3/4" x 1"	57
711-16-16	1"	62
711-16-20	1" x 1 1/4"	62
711-20-20	1 1/4"	62
711-20-24	1 1/4" x 1 1/2"	66
711-24-24	1 1/2"	66
711-24-32	1 1/2" x 2"	66
711-32-32	2"	66



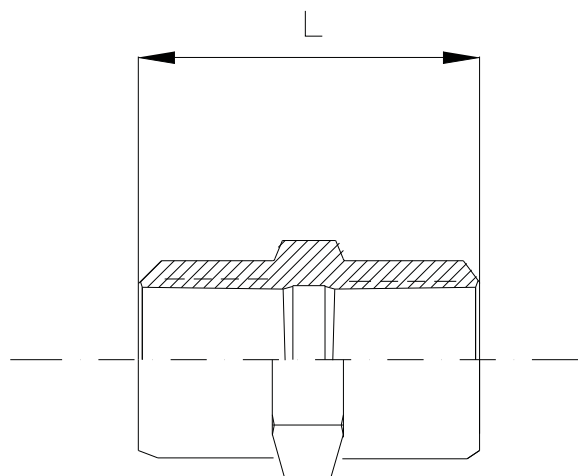
ADAPTADOR HEMBRA NPT X MACHO NPT

CODIGO	RH	RM	L
711-2i-2	1/8"	1/8"	22
711-4i-2	1/4"	1/8"	22
711-4i-4	1/4"	1/4"	23
711-6i-4	3/8"	3/8"	24
711-6i-6	3/8"	3/8"	24
711-8i-6	1/2"	3/8"	25
711-8i-8	1/2"	1/2"	27
711-12i-8	3/4"	1/2"	29
711-12i-12	3/4"	3/4"	32
711-16i-12	1"	3/4"	35
711-16i-16	1"	1"	38
711-20i-20	1 1/4"	1"	41



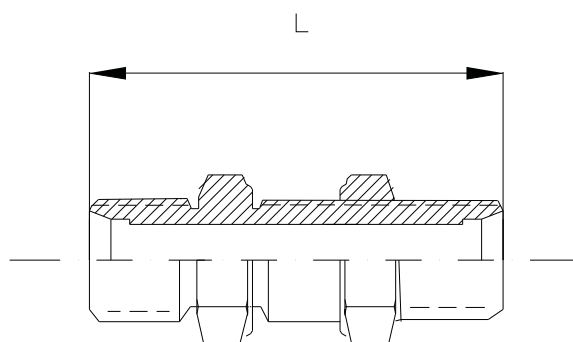
CUPLA HEMBRA X HEMBRA

CODIGO	ROSCA BSP	L
711-2-2i	1/8"	23
711-2-4i	1/8" x 1/4"	25
711-4-4i	1/4"	25
711-4-6i	1/4" x 3/8"	25
711-6-6i	3/8"	32
711-6-8i	3/8" x 1/2"	36
711-8-8i	1/2"	38
711-8-12i	1/2" x 3/4"	40
711-12-12i	3/4"	45
711-12-16i-	3/4" x 1"	50
711-16-16i	1"	50
711-20-20i	1 1/4"	55
711-24-24i	1 1/2"	60



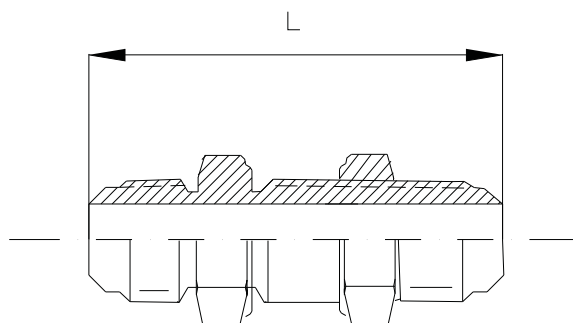
PASACHAPA TUBO X TUBO

CODIGO	ROSCA UNF	TUBO	L
P722-2-2	7/16"	1/4"	48
P722-4-4	9/16"	3/8"	50
P722-6-6	3/4"	1/2"	56
P722-8-8	7/8"	5/8"	63
P722-10-10	1 1/16"	3/4"	69
P722-12-12	1 3/16"	7/8"	69
P722-14-14	1 5/16"	1"	69
P722-16-16	1 5/8"	1 1/4"	71



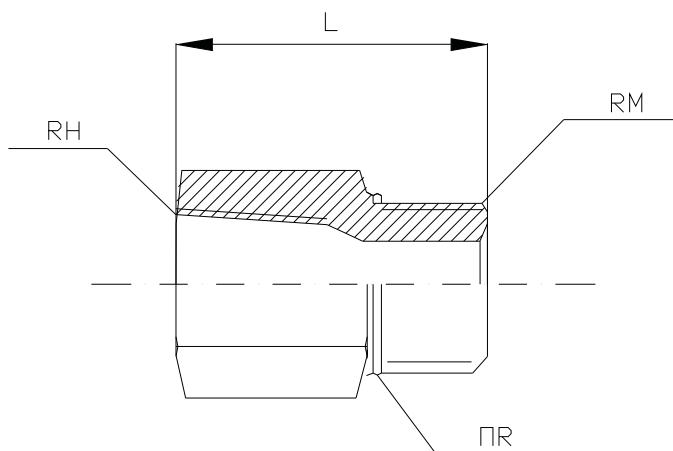
PASACHAPA JIC X JIC

CODIGO	ROSCA UNF	L
P744-2-2	7/16"	53
P744-4-4	9/16"	55
P744-6-6	3/4"	62
P744-8-8	7/8"	70
P744-10-10	1 1/16"	78
P744-12-12	1 3/16"	79
P744-14-14	1 5/16"	80
P744-16-16	1 5/8"	84



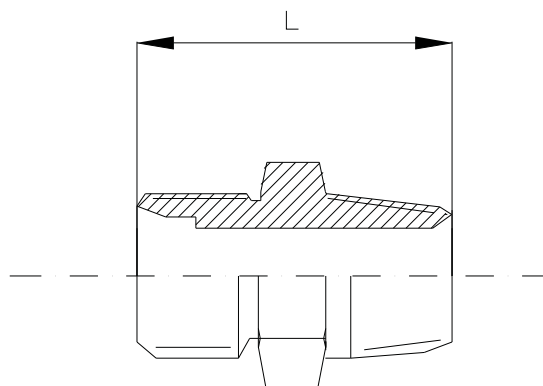
ADAPTADOR HEMBRA NPT X MACHO FIJO ORING

CODIGO	RH	RM	OR	L
718-4i-4	1/4"	9/16"	2-013	30
718-6i-4	3/8"	9/16"	2-013	33
718-4i-6	1/4"	3/4"	2-114	29
718-6i-6	3/8"	3/4"	2-114	33
718-8i-6	1/2"	3/4"	2-114	38
718-6i-8	3/8"	7/8"	2-115	33
718-8i-8	1/2"	7/8"	2-115	39
718-8i-10	1/2"	1 1/16"	2-119	36
718-12i-10	3/4"	1 1/16"	2-119	44
718-12i-12	3/4"	1 3/16"	2-121	43
718-12i-14	3/4"	1 5/16"	2-123	39
718-16i-14	1"	1 5/16"	2-123	48
718-16i-16	1"	1 5/8"	2-224	50



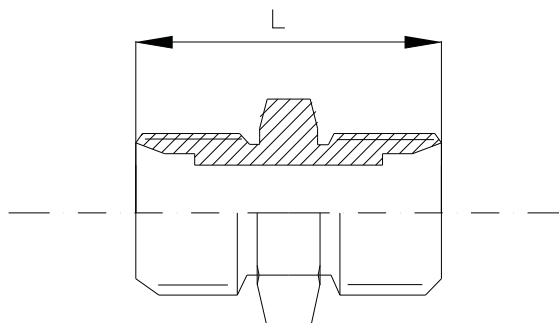
ADAPTADOR ASIENTO TUBO X NPT

CODIGO	ROSCA	L
721-2-2	7/16" x 1/8"	28
721-4-2	9/16" x 1/8"	34
721-2-4	7/16" x 1/4"	38
721-4-4	9/16" x 1/4"	34
721-6-4	3/4" x 1/4"	35
721-4-6	9/16" x 3/8"	34
721-6-6	3/4" x 3/8"	37
721-8-6	7/8" x 3/8"	42
721-6-8	3/4" x 1/2"	41
721-8-8	7/8" x 1/2"	44
721-10-8	1 1/16" x 1/2"	48
721-8-12	7/8" x 3/4"	48
721-10-12	1 1/16" x 3/4"	48
721-12-12	1 3/16" x 3/4"	48
721-14-16	1 5/16" x 1"	53
721-16-16	1 5/8" x 1"	53
721-16-20	1 5/8" x 1 1/4"	55
721-20-20	1 7/8" x 1 1/4"	55
721-20-24	1 7/8" x 1 1/2"	58
721-24-32	2 1/2" x 2"	63



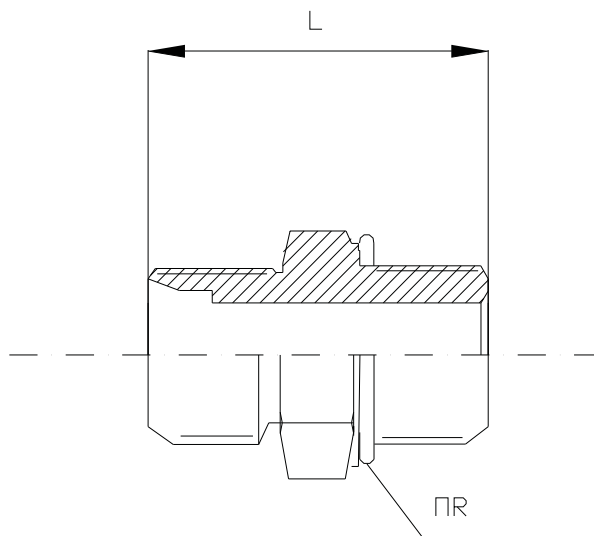
ADAPTADOR TUBO X TUBO

CODIGO	ROSCA	L
722-2-2	7/16"	30
722-4-4	9/16"	31
722-6-6	3/4"	36
722-8-8	7/8"	41
722-10-10	1 1/16"	46
722-12-12	1 3/16"	46
722-14-14	1 5/16"	46
722-16-16	1 5/8"	48
722-20-20	1 7/8"	50
722-24-24	2 1/2"	60



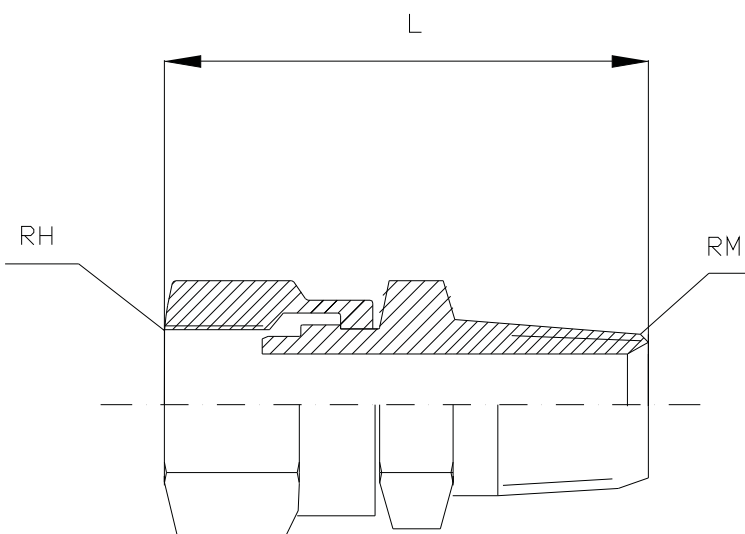
ADAPTADOR TUBO X ASIENTO ORING

CODIGO	ROSCA UNF	ORING	L
728-4-4	9/16" x 9/16"	2-013	34
728-6-4	3/4" x 9/16"	2-013	38
728-4-6	9/16" x 3/4"	2-114	38
728-6-6	3/4" x 3/4"	2-114	39
728-8-6	7/8" x 3/4"	2-114	42
728-6-8	3/4" x 7/8"	2-115	43
728-8-8	7/8" x 7/8"	2-115	43
728-10-8	1 1/6" x 7/8"	2-115	46
728-8-10	7/8" x 1 1/16"	2-119	49
728-10-10	1 1/16" x 1 1/16"	2-119	50
728-12-10	1 3/16" x 1 1/16"	2-119	50
728-10-12	1 1/16" x 1 3/16"	2-121	49
728-12-12	1 3/16" x 1 3/16"	2-121	49
728-14-12	1 5/16" x 1 3/16"	2-121	52
728-12-14	1 3/16" x 1 5/16"	2-123	52
728-14-14	1 5/16" x 1 5/16"	2-123	52
728-14-16	1 5/16" x 1 5/8"	2-224	55
728-16-16	1 5/8" x 1 5/8"	2-224	55



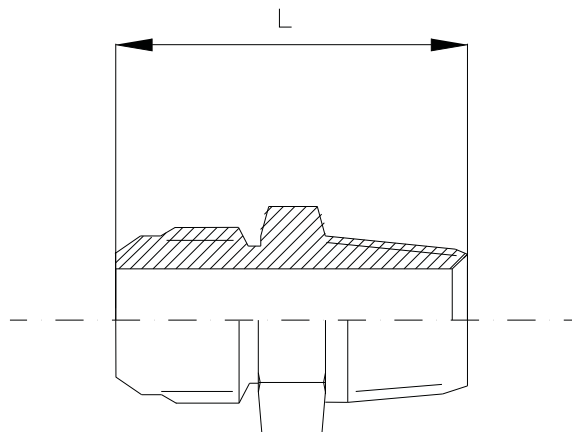
ADAPTADOR HEMBRA GIRATORIA ASIENTO TUBO X NPT

CODIGO	RH	RM	L
731-2-2	7/16"	1/8"	33
731-4-2	9/16"	1/8"	33
731-2-4	7/16"	1/4"	38
731-4-4	9/16"	1/4"	38
731-6-4	3/4"	1/4"	43
731-4-6	9/16"	3/8"	41
731-6-6	3/4"	3/8"	43
731-8-6	7/8"	3/8"	48
731-6-8	3/4"	1/2"	48
731-8-8	7/8"	1/2"	52
731-10-8	1 1/6"	1/2"	55
731-8-12	7/8"	3/4"	55
731-10-12	1 1/16"	3/4"	55
731-12-12	1 3/16"	3/4"	58
731-14-16	1 5/16"	1"	64
731-16-16	1 5/8"	1"	69



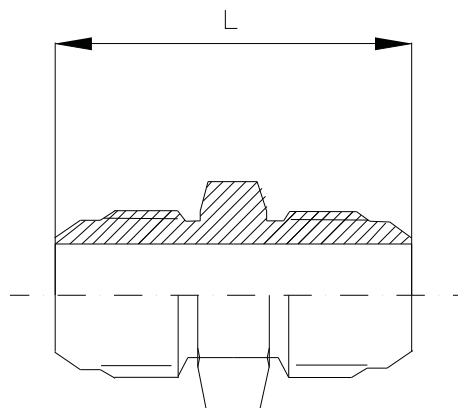
ADAPTADOR JIC X NPT

CODIGO	ROSCA	L
741-2-2	7/16" x 1/8"	31
741-4-2	9/16" x 1/8"	31
741-2-4	7/16" x 1/4"	35
741-4-4	9/16" x 1/4"	35
741-6-4	3/4" x 1/4"	36
741-4-6	9/16" x 3/8"	38
741-6-6	3/4" x 3/8"	40
741-8-6	7/8" x 3/8"	41
741-6-8	3/4" x 1/2"	44
741-8-8	7/8" x 1/2"	46
741-10-8	1 1/16" x 1/2"	49
741-8-12	7/8" x 3/4"	53
741-10-12	1 1/16" x 3/4"	56
741-12-12	1 3/16" x 3/4"	58
741-14-16	1 5/16" x 1"	59
741-16-16	1 5/8" x 1"	61
741-16-20	1 7/8" x 1 1/4"	64
741-20-20	1 7/8" x 1 1/2"	65
741-24-24	2 1/2" x 1 1/2"	67
741-24-32	2 1/2" x 2"	71



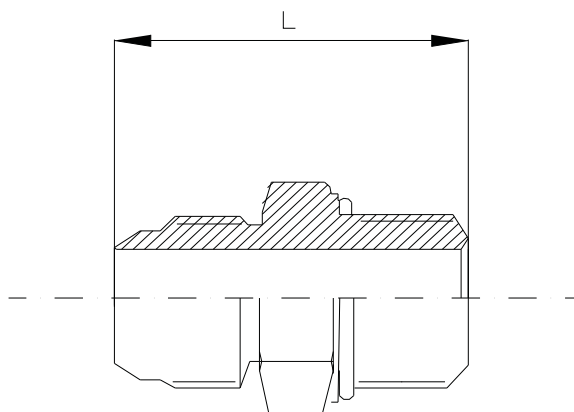
ADAPTADOR JIC X JIC

CODIGO	ROSCA UNF	L
744-2-2	7/16"	35
744-4-4	9/16"	36
744-6-6	3/4"	41
744-8-8	7/8"	48
744-10-10	1 1/16"	55
744-12-12	1 3/16"	56
744-14-14	1 5/16"	57
744-16-16	1 5/8"	62
744-20-20	1 7/8"	70
744-24-24	2 1/2"	86



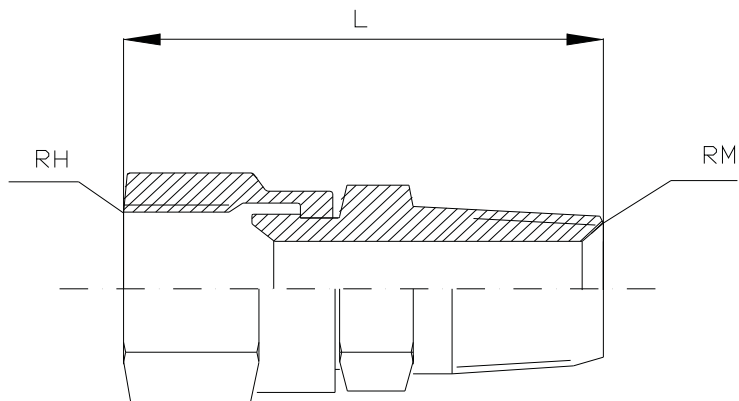
ADAPTADOR JIC X ORING

CODIGO	ROSCA UNF	L
748-4-4	9/16" x 9/16"	34
748-6-4	3/4" x 9/16"	38
748-4-6	9/16" x 3/4"	38
748-6-6	3/4" x 3/4"	39
748-8-6	7/8" x 3/4"	42
748-6-8	3/4" x 7/8"	43
748-8-8	7/8" x 7/8"	43
748-10-8	1 1/6" x 7/8"	45
748-8-10	7/8" x 1 1/16"	49
748-10-10	1 1/16" x 1 1/16"	51
748-12-10	1 3/16" x 1 1/16"	51
748-10-12	1 1/16" x 1 3/16"	49
748-12-12	1 3/16" x 1 3/16"	49
748-14-12	1 5/16" x 1 3/16"	52
748-12-14	1 3/16" x 1 5/16"	52
748-14-14	1 5/16" x 1 5/16"	52
748-14-16	1 5/16" x 1 5/8"	55
748-16-16	1 5/8" x 1 5/8"	55



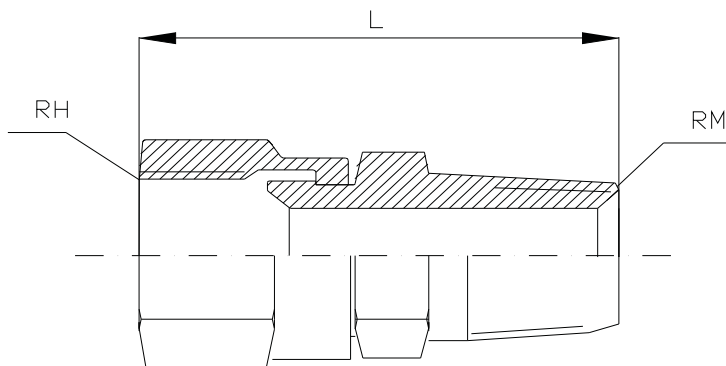
ADAPTADOR JIC X NPT

CODIGO	RH	RM	L
751-2-2	7/16"	1/8"	33
751-4-2	9/16"	1/8"	33
751-2-4	7/16"	1/4"	33
751-4-4	9/16"	1/4"	38
751-6-4	3/4"	1/4"	43
751-4-6	9/16"	3/8"	41
751-6-6	3/4"	3/8"	43
751-8-6	7/8"	3/8"	48
751-6-8	3/4"	1/2"	48
751-8-8	7/8"	1/2"	51
751-10-8	1 1/6"	1/2"	55
751-8-12	7/8"	3/4"	55
751-10-12	1 1/16"	3/4"	55
751-12-12	1 3/16"	3/4"	58
751-14-16	1 5/16"	1"	64
751-16-16	1 5/8"	1"	69



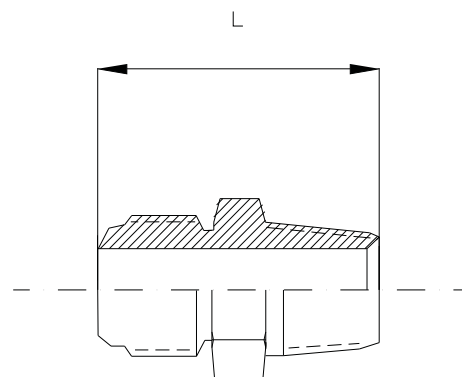
ADAPTADOR HEMBRA GIRATORIA BSP JIC X BSPT

CODIGO	RH	RM	L
771-4-4	1/4"	1/4"	38
771-6-4	3/8"	1/4"	42
771-4-6	1/4"	3/8"	41
771-6-6	3/8"	3/8"	42
771-8-6	1/2"	3/8"	48
771-6-8	3/8"	1/2"	48
771-8-8	1/2"	1/2"	52
771-12-12	3/4"	3/4"	55
771-16-16	1"	1"	64



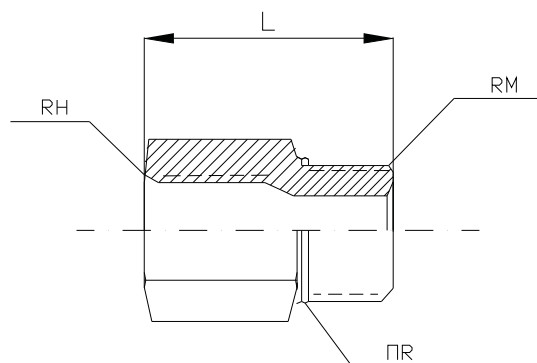
ADAPTADOR BSP JIC X BSPT

CODIGO	ROSCA	L
772-2-2	1/8" x 1/8"	28
772-4-4	1/4" x 1/4"	31
772-6-6	3/8" x 3/8"	36
772-8-8	1/2" x 1/2"	39
772-12-12	3/4" x 3/4"	52
772-16-16	1" x 1"	58
772-20-20	1 1/4" x 1 1/4"	62
772-24-24	1 1/2" x 1 1/2"	68
772-32-32	2" x 2"	75



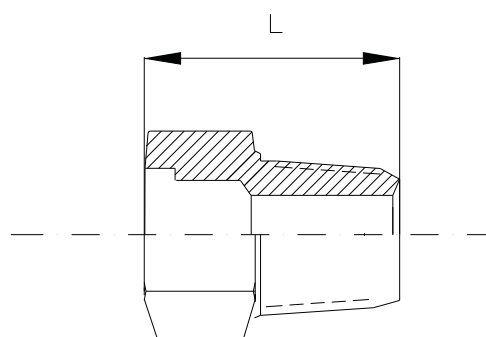
ADAPTADOR HEMBRA FIJA MILIMETRICA X MACHO FIJO ORING

CODIGO	RH	RM	OR	L
798-M-14i-4	M14	9/16"	2-013	30
798-M-14i-6	M14	3/4"	2-114	33
798-M-16i-6	M16	3/4"	2-114	33
798-M-18i-6	M18	3/4"	2-114	38
798-M-16i-8	M16	7/8"	2-115	38
798-M-18i-8	M18	7/8"	2-115	48
798-M-20i-8	M20	7/8"	2-115	48
798-M-22i-8	M22	7/8"	2-115	49



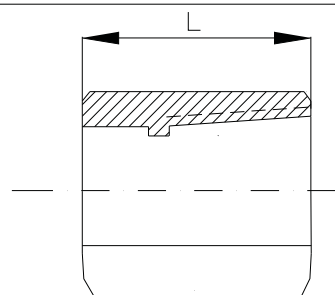
ADAPTADOR NPT P/SOLDAR

CODIGO	ROSCA	L
7S1-4-4	1/4"	20
7S1-6-6	3/8"	22
7S1-8-8	1/2"	30
7S1-12-12	3/4"	39
7S1-16-16	1"	39



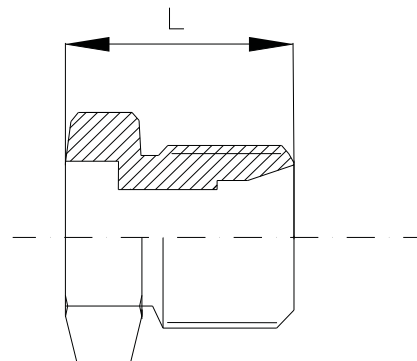
ADAPTADOR HEMBRA FIJA NPT PARA SOLDAR

CODIGO	ROSCA NPT	L
7S1-4-4i	1/4"	15
7S1-6-6i	3/8"	20
7S1-8-8i	1/2"	23
7S1-12-12i	3/4"	25
7S1-16-16i	1"	33



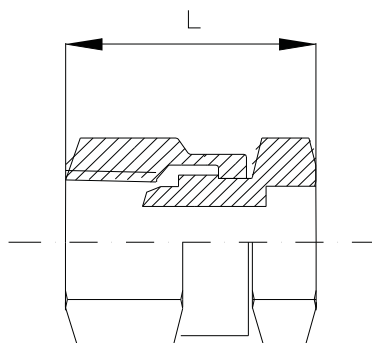
ADAPTADOR ASIENTO TUBO PARA SOLDAR

CODIGO	ROSCA UNF	TUBO	L
7S2-4-4	9/16"	3/8"	19
7S2-6-6	3/4"	1/2"	22
7S2-8-8	7/8"	5/8"	25
7S2-10-10	1 1/16"	3/4"	28
7S2-12-12	1 3/16"	7/8"	28
7S2-14-14	1 5/16"	1"	30
7S2-16-16	1 5/8"	1 1/4"	30



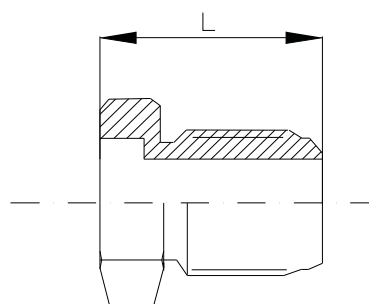
ADAPTADOR HEMBRA GIRATORIA ASIENTO TUBO PARA SOLDAR

CODIGO	ROSCA UNF	TUBO	L
7S3-4-4	9/16"	3/8"	26
7S3-6-6	3/4"	1/2"	30
7S3-8-8	7/8"	5/8"	34
7S3-10-12	1 1/16"	3/4"	38
7S3-12-12	1 3/16"	7/8"	40
7S3-14-14	1 5/16"	1"	45
7S3-16-16	1 5/8"	1 1/4"	47



ADAPTADOR JIC PARA SOLDAR

CODIGO	ROSCA UNF	L
7S4-4-4	9/16"	21
7S4-6-6	3/4"	25
7S4-8-8	7/8"	30
7S4-10-10	1 1/16"	35
7S4-12-12	1 3/16"	35
7S4-14-14	1 5/16"	37
7S4-16-16	1 5/8"	38



ADAPTADOR HEMBRA GIRATORIA JIC PARA SOLDAR

CODIGO	ROSCA UNF	L
7S5-4-4	9/16"	26
7S5-6-6	3/4"	30
7S5-8-8	7/8"	34
7S5-10-10	1 1/16"	38
7S5-12-12	1 3/16"	40
7S5-14-14	1 5/16"	45
7S5-16-16	1 5/8"	47

