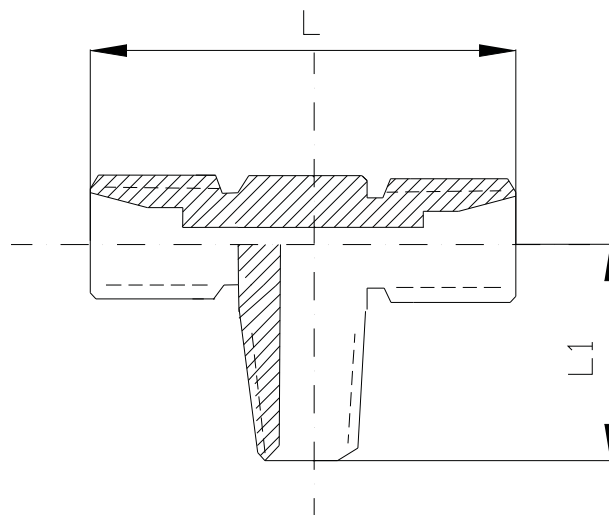


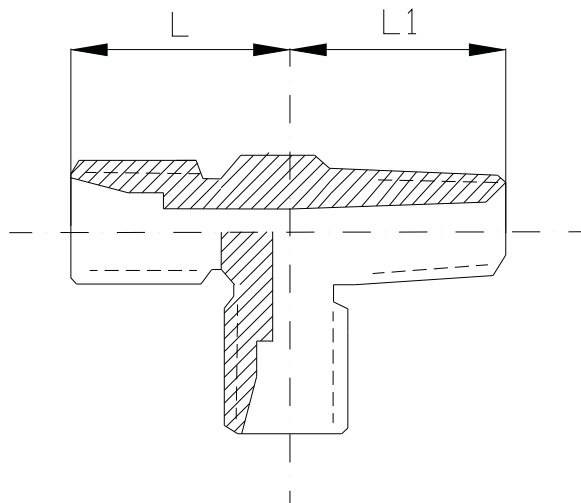
TEE TUBO X TUBO X NPT

CODIGO	ROSCA	L	L1
1221-2-2-2	7/16"x7/16"x 1/8"	40	25
1221-4-4-4	9/16"x9/16"x 1/4"	46	28
1221-6-6-6	3/4"x3/4"x 3/8"	52	31
1221-8-8-8	7/8"x7/8"x 1/2"	64	37
1221-10-10-12	1 1/16"x1 1/16"x 3/4"	70	40
1221-12-12-12	1 3/16"x1 3/16" x 3/4"	74	42
1221-14-14-16	1 5/16"x1 5/16"x 1"	94	52



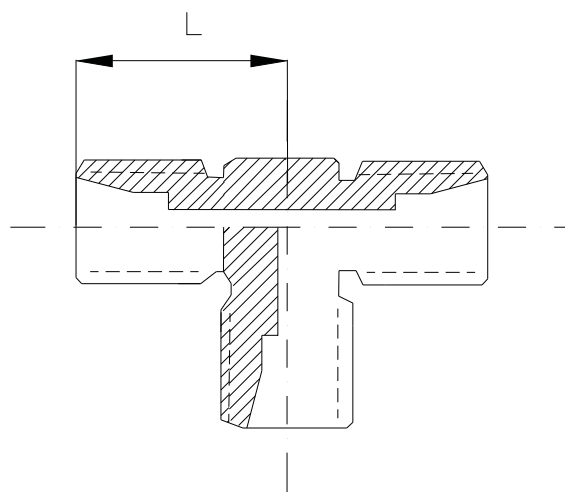
TEE TUBO X NPT X TUBO

CODIGO	ROSCA	L	L1
1212-2-2-2	7/16"x1/8"x 7/16"	20	25
1212-4-4-4	9/16"x1/4"x 9/16"	23	28
1212-6-6-6	3/4"x3/8"x 3/4"	26	31
1212-8-8-8	7/8"x1/2"x 7/8"	32	37
1212-10-12-10	1 1/16"x3/4"x 1/16"	35	40
1212-12-12-12	1 3/16"x3/4" x 3/16"	37	42
1212-14-16-14	1 5/16"x1"x 5/16"	47	52



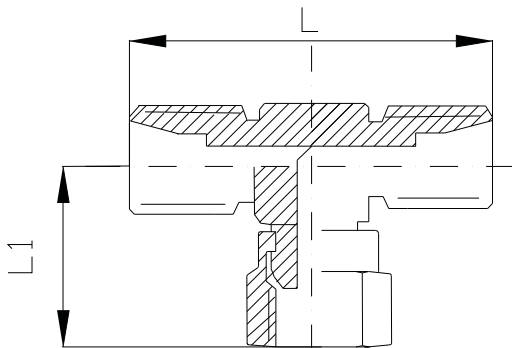
TEE TUBO X TUBO X TUBO

CODIGO	ROSCA UNF	L
1222-2-2-2	7/16"	20
1222-4-4-4	9/16"	23
1222-6-6-6	3/4"	26
1222-8-8-8	7/8"	32
1222-10-10-10	1 1/16"	35
1222-12-12-12	1 3/16"	37
1222-14-14-14	1 5/16"	47
1222-16-16-16	1 5/8"	55



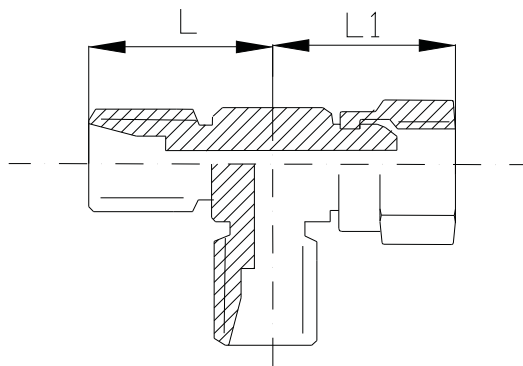
TEE TUBO X TUBO X HEMBRA GIRATORIA AS. TUBO

CODIGO	ROSCA UNF	L	L1
1223-2-2-2	7/16"	40	25
1223-4-4-4	9/16"	54	32
1223-6-6-6	3/4"	60	35
1223-8-8-8	7/8"	72	41
1223-10-10-10	1 1/16"	78	44
1223-12-12-12	1 3/16"	80	45
1223-14-14-14	1 5/16"	92	51



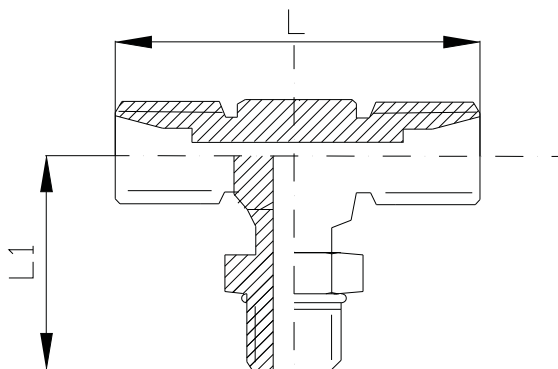
TEE TUBO X HEMBRA GIRATORIA AS. TUBO X TUBO

CODIGO	ROSCA UNF	L	L1
1232-2-2-2	7/16"	20	25
1232-4-4-4	9/16"	27	32
1232-6-6-6	3/4"	30	35
1232-8-8-8	7/8"	39	44
1232-10-10-10	1 1/16"	39	44
1232-12-12-12	1 3/16"	40	45
1232-14-14-14	1 5/16"	46	51



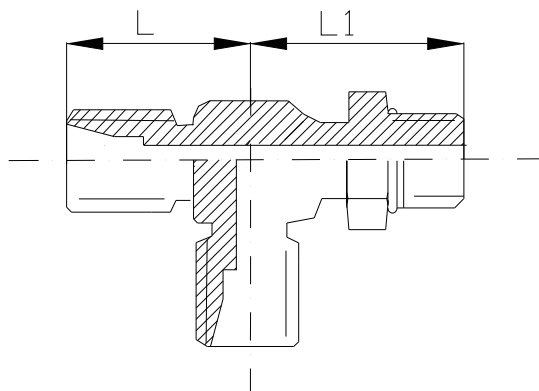
TEE TUBO X TUBO X ORING

CODIGO	ROSCA UNF	L	L1
1228-2-2-2	7/16"	20	26
1228-4-4-4	9/16"	23	28
1228-6-6-6	3/4"	27	32
1228-8-8-8	7/8"	32	37
1228-10-10-10	1 1/16"	38	43
1228-12-12-12	1 3/16"	44	49
1228-14-14-14	1 5/16"	47	52



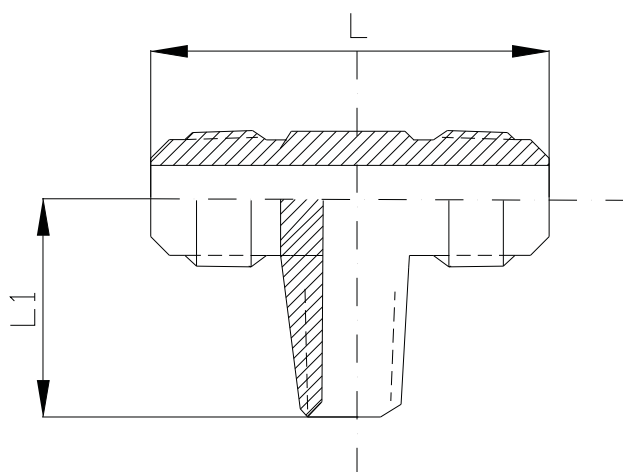
TEE TUBO X ORING X TUBO

CODIGO	ROSCA UNF	L	L1
1282-2-2-2	7/16"	21	26
1282-4-4-4	9/16"	23	28
1282-6-6-6	3/4"	27	32
1282-8-8-8	7/8"	32	37
1282-10-10-10	1 1/16"	38	43
1282-12-12-12	1 3/16"	44	49
1282-14-14-14	1 5/16"	47	52



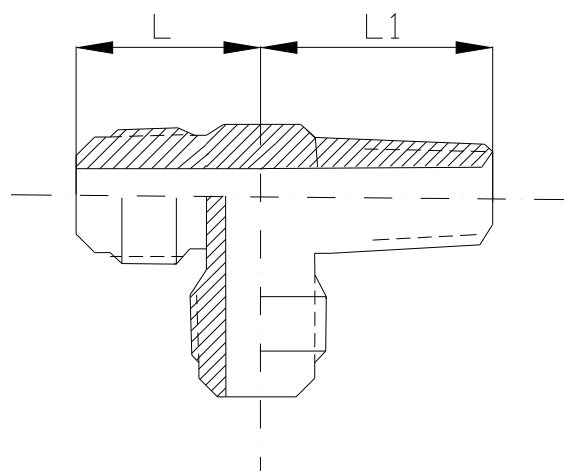
TEE JIC X JIC X NPT

CODIGO	ROSCA	L	L1
1441-2-2-2	7/16"x7/16"x7/16"	50	22
1441-4-4-4	9/16"x9/16"x1/4"	64	27
1441-6-6-6	3/4"x3/4"x3/8"	70	30
1441-8-8-8	7/8"x7/8"x1/2"	82	36
1441-10-12-10	1 1/16"x1 1/16"x3/4"	88	39
1441-12-12-12	1 3/16"x3/16"x 3/4"	90	40
1441-14-16-14	1 5/16"x1 5/16"x1"	102	46



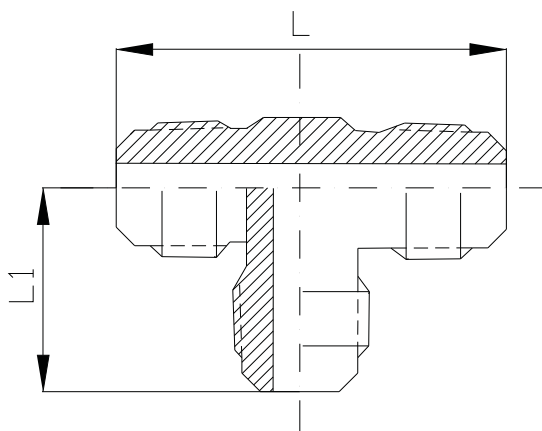
TEE JIC X NPT X JIC

CODIGO	ROSCA	L	L1
1414-2-2-2	7/16"x1/8"x7/16"	25	22
1414-4-4-4	9/16"x1/4"x9/16"	32	27
1414-6-6-6	3/4"x3/8"x3/4"	35	30
1414-8-8-8	7/8"x1/2"x7/8"	41	36
1414-10-12-10	1 1/16"x3/4"x1 1/16"	44	39
1414-12-12-12	1 3/16"x3/4"x1 3/16"	45	40
1414-14-16-14	1 5/16"x1"x1 5/16"	51	46



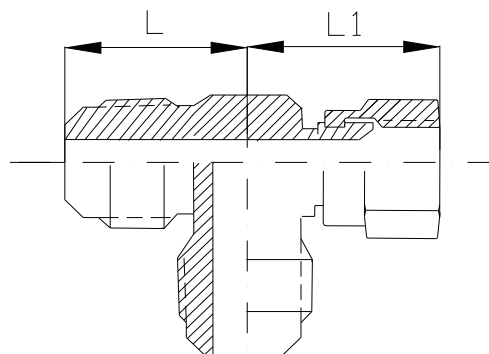
TEE JIC X JIC X JIC

CODIGO	ROSCA UNF	L	L1
1444-2-2-2	7/16"	50	25
1444-4-4-4	9/16"	64	32
1444-6-6-6	3/4"	70	35
1444-8-8-8	7/8"	82	41
1444-10-10-10	1 1/16"	88	44
1444-12-12-12	1 3/16"	90	45
1444-14-14-14	1 5/16"	102	51
1444-16-16-16	1 5/8"	116	58



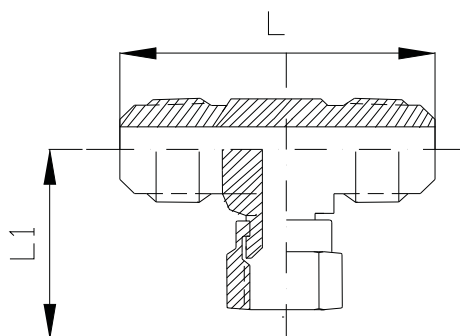
TEE HEMBRA GIRATORIA X JIC X JIC

CODIGO	ROSCA UNF	L	L1
1445-2-2-2	7/16"	23	25
1445-4-4-4	9/16"	27	32
1445-6-6-6	3/4"	32	35
1445-8-8-8	7/8"	37	41
1445-10-10-10	1 1/16"	42	44
1445-12-12-12	1 3/16"	46	45
1445-14-14-14	1 5/16"	52	51



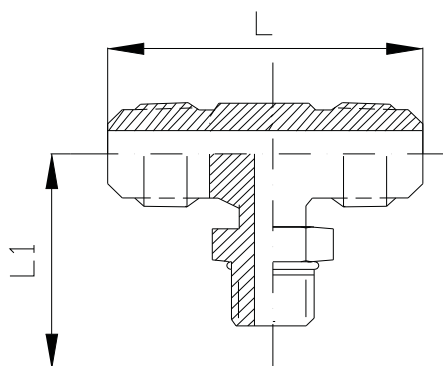
TEE JIC X JIC X HEMBRA GIRATORIA JIC

CODIGO	ROSCA UNF	L	L1
1454-2-2-2	7/16"	46	25
1454-4-4-4	9/16"	54	32
1454-6-6-6	3/4"	64	35
1454-8-8-8	7/8"	74	41
1454-10-10-10	1 1/16"	84	44
1454-12-12-12	1 3/16"	92	47
1454-14-14-14	1 5/16"	104	51



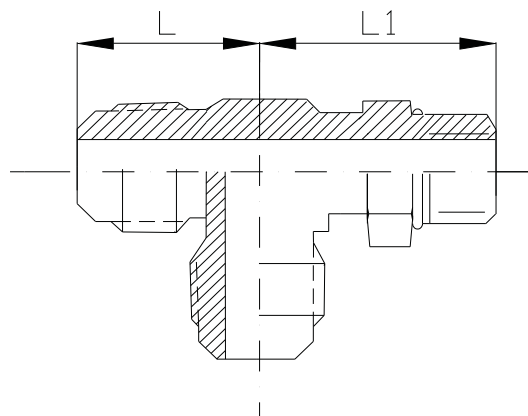
TEE JIC X JIC X ORNG

CODIGO	ROSCA UNF	L	L1
1448-2-2-2	7/16"	46	26
1448-4-4-4	9/16"	54	28
1448-6-6-6	3/4"	64	32
1448-8-8-8	7/8"	74	37
1448-10-10-10	1 1/16"	84	43
1448-12-12-12	1 3/16"	92	49
1448-14-14-14	1 5/16"	104	52



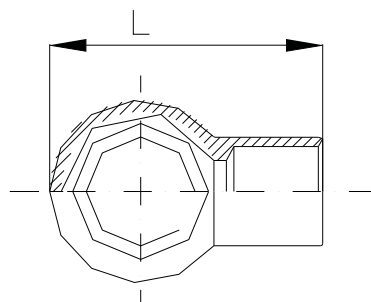
TEE JIC X ORING X JIC

CODIGO	ROSCA UNF	L	L1
1484-2-2-2	7/16"	23	26
1484-4-4-4	9/16"	27	28
1484-6-6-6	3/4"	32	32
1484-8-8-8	7/8"	37	37
1484-10-10-10	1 1/16"	42	43
1484-12-12-12	1 3/16"	46	49
1484-14-14-14	1 5/16"	52	52

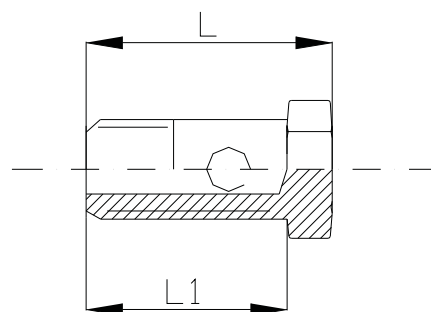


**OJAL PARA SOLDAR**

CODIGO	DIAMETRO	L
UO-M10	10mm	28
UO-M12	12mm	32
UO-M14	14mm	36
UO-M16	16mm	40
UO-M18	18mm	43
UO-M20	20mm	45
UO-M22	22mm	46
UO-M24	24mm	50
UO-L6	3/4" NF	44
UO-L8	7/8" NF	46
UO-L10	1 1/16" NF	60


**BULON PARA OJAL**

CODIGO	DIAMETRO	L	L1
TO-M10	10x1,5	30	23
TO-M12	12x1,5	33	26
TO-M14	14x1,5	34	27
TO-M16	16x1,5	40	33
TO-M18	18x1,5	46	38
TO-M20	20x1,5	49	40
TO-M22	22x1,5	53	43
TO-M24	24x1,5	57	46
TO-L6	3/4" NF	47	41
TO-L8	7/8" NF	55	45
TO-L10	1 1/16" NF	72	65


**ARANDELA PARA OJAL DE ALUMINIO**

CODIGO	DIAMETRO	L
AO-M10	10mm	14
AO-M12	12mm	18
AO-M14	14mm	20
AO-M16	16mm	22
AO-M18	18mm	24
AO-M20	20mm	26
AO-M22	22mm	28
AO-M24	24mm	30
AO-M26	19,2mm	32
AO-M28	22,5mm	36
AO-L10	27,5mm	40

