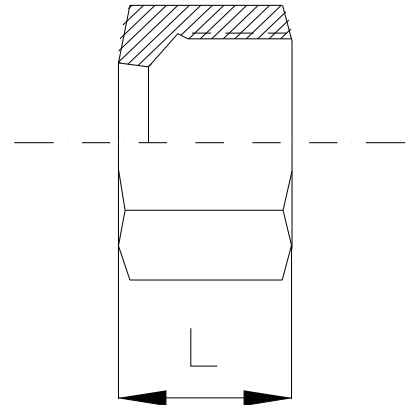


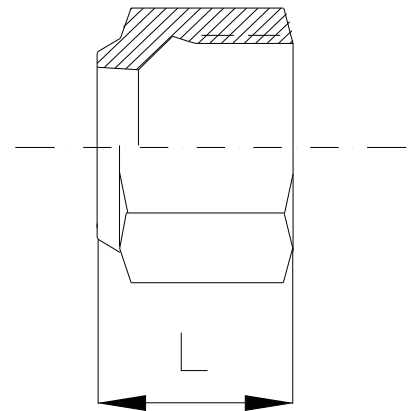
TUERCA PARA VIOLA SAE

CODIGO	ROSCA UNF	TUBO	L
43-1	3/8"	1/8	11
43-2	7/16"	1/4	18
43-4	9/16"	3/8	20
43-6	3/4"	1/2	22
43-8	7/8"	5/8	24
43-10	1 1/16"	3/4	25
43-12	1 3/16"	7/8	26
43-14	1 5/16"	1"	27
43-16	1 5/8"	1 1/4	28
43-20	1 7/8"	1 1/2	28
43-24	2 1/2"	2"	31



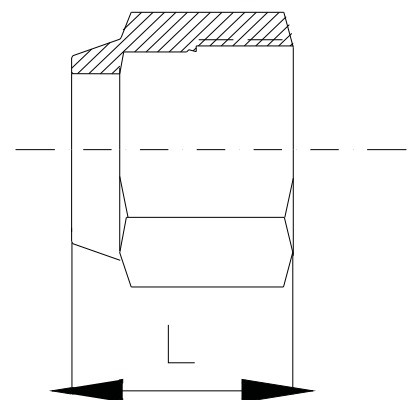
TUERCA PARA VIOLA DIN

CODIGO	ROSCA	L
43-M12 (T6)	M12x1,5	11
43-M14 (T6)	M14x1,5	13
43-M14 (T8)	M14x1,5	13
43-M16 (T8)	M16x1,5	17
43-M16 (T10)	M16x1,5	17
43-M18 (T10)	M18x1,5	18
43-M18 (T12)	M18x1,5	18
43-M20 (T12)	M20x1,5	20
43-M22 (T14)	M22x1,5	21
43-M22 (T15)	M22x1,5	21
43-M22 (T16)	M22x1,5	21
43-M24 (T16)	M24x1,5	22
43-M26 (T18)	M26x1,5	22
43-M30 (T20)	M30x1,5	23
43-M30 (T22)	M30x1,5	23
43-M36 (T25)	M36x1,5	24
43-M36 (T28)	M36x1,5	24
43-M45 (T35)	M45x1,5	27
43-M52 (T42)	M52x1,5	29



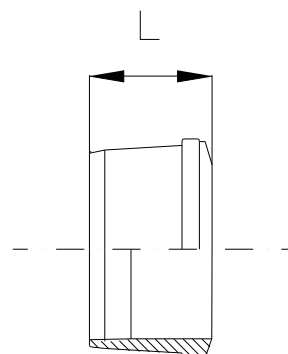
TUERCA PARA CIERRE JIC 37°

CODIGO	ROSCA UNF	TUBO	L
45-2-2	7/16"	1/4"	17
45-4-4	9/16"	3/8"	18
45-6-6	3/4"	1/2"	20
45-8-8	7/8"	5/8"	24
45-10-10	11/16"	3/4"	25
45-12-12	13/16"	7/8"	26
45-14-14	15/16"	1"	30
45-16-16	15/8"	1 1/4"	30
45-20-20	17/8"	1 1/2"	35
45-24-24	2 1/2"	2"	41

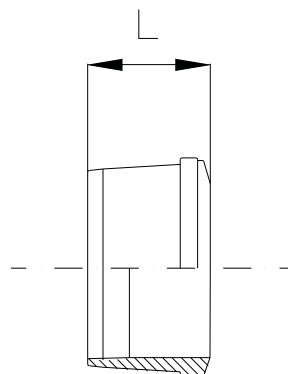


VIROLA SAE

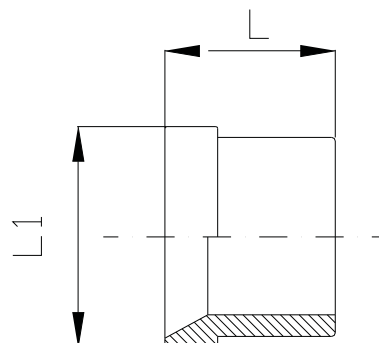
CODIGO	TUBO	L
53-1	3/16"	8
53-2	1/4"	9
53-4	3/8"	10
53-6	1/2"	11
53-8	5/8"	12
53-10	3/4"	12
53-12	7/8"	12
53-14	1"	12
53-16	1 1/4"	12
53-20	1 1/2"	12
53-24	2"	12


VIROLA DIN

CODIGO	TUBO	L
53-M (T6)	6mm	8
53-M (T8)	8mm	9
53-M (T10)	10mm	10
53-M (T12)	12mm	10
53-M (T14)	14mm	10
53-M (T15)	15mm	10
53-M (T16)	16mm	10
53-M (T18)	18mm	10
53-M (T20)	20mm	11
53-M (T22)	22mm	11
53-M (T25)	25mm	11
53-M (T28)	28mm	11
53-M (T30)	30mm	11
53-M (T35)	35mm	13
53-M (T42)	42mm	13

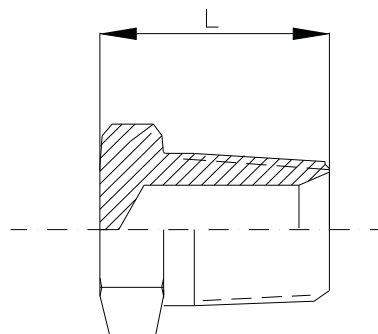

VIROLA RESPALDO PARA CIERRE JIC 37°

CODIGO	TUBO	L	L1
55-2	1/4"	10	10
55-4	3/8"	13	13
55-6	1/2"	16	17
55-8	5/8"	17	20
55-10	3/4"	18	25
55-12	7/8"	20	27
55-14	1"	20	31
55-16	1 1/4"	24	38
55-20	1 1/2"	26	45
55-24	2"	29	48



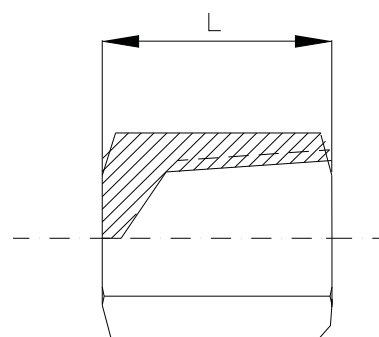
TAPON MACHO NPT

CODIGO	ROSCA NPT	L
71-2	1/8"	17
71-4	1/4"	19
71-6	3/8"	23
71-8	1/2"	27
71-12	3/4"	31
71-16	1"	33
71-20	1 1/4"	36
71-24	1 1/2"	39
71-32	2"	42



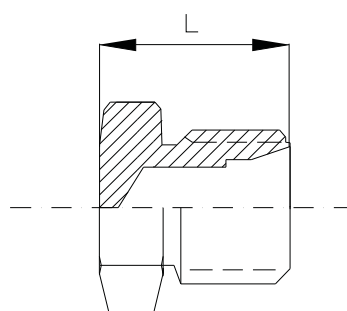
TAPON HEMBRA NPT

CODIGO	ROSCA NPT	L
71-2i	1/8"	19
71-4i	1/4"	22
71-6i	3/8"	25
71-8i	1/2"	26
71-12i	3/4"	28
71-16i	1"	35
71-20i	1 1/4"	39
71-24i	1 1/2"	40
71-32i	2"	45



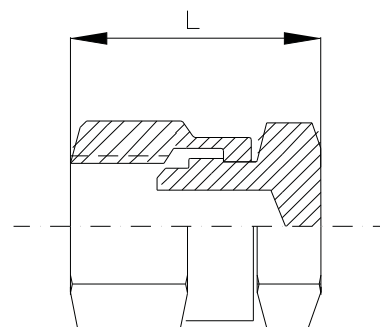
TAPON MACHO ALOJAMIENTO VIROLA

CODIGO	ROSCA UNF	L
72-2	7/16"	20
72-4	9/16"	21
72-6	3/4"	24
72-8	7/8"	29
72-10	1 1/16"	34
72-12	1 3/16"	34
72-14	1 5/16"	40
72-16	1 5/8"	46



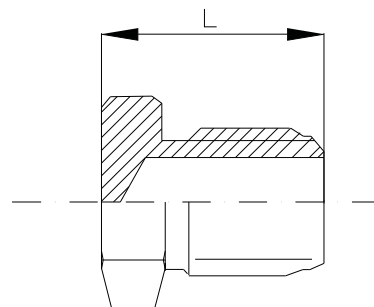
TAPON HEMBRA GIRATORIA ASIENTO VIROLA

CODIGO	ROSCA UNF	L
73-2	7/16"	20
73-4	9/16"	20
73-6	3/4"	22
73-8	7/8"	27
73-10	1 1/16"	30
73-12	1 3/16"	33
73-14	1 5/16"	47
73-16	1 5/8"	47



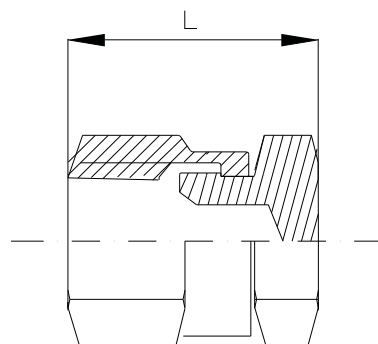
TAPON MACHO NF JIC

CODIGO	ROSCA UNF	L
74-2	7/16"	23
74-4	9/16"	25
74-6	3/4"	27
74-8	7/8"	29
74-10	1 1/16"	36
74-12	1 3/16"	38
74-14	1 5/16"	39
74-16	1 5/8"	44



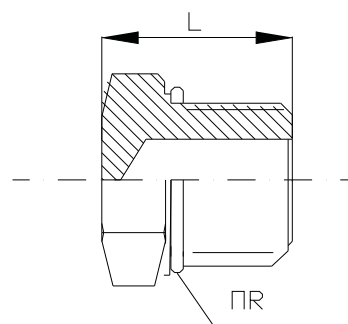
TAPON HEMBRA GIRATORIA JIC

CODIGO	ROSCA UNF	L
75-2	7/16"	22
75-4	9/16"	22
75-6	3/4"	25
75-8	7/8"	30
75-10	1 1/16"	33
75-12	1 3/16"	36
75-14	1 5/16"	40
75-16	1 5/8"	40



TAPON MACHO ASIENTO ORING

CODIGO	ROSCA UNF	ORING	L
78-2	7/16"	2-011	18
78-4	9/16"	2-013	19
78-6	3/4"	2-114	22
78-8	7/8"	2-115	24
78-10	1 1/16"	2-119	26
78-12	1 3/16"	2-121	28
78-14	1 5/16"	2-123	33
78-16	1 5/8"	2-227	37



TAPON MACHO ASIENTO ORING MILIMETRICO

CODIGO	ROSCA	ORING	L
79-M14	M14x1,5	2-013	20
79-M16	M16x1,5	2-015	22
79-M18	M18x1,5	2-113	24
79-M20	M20x1,5	2-114	25
79-M22	M22x1,5	2-115	26
79-M24	M24x1,5	2-117	27
79-M26	M26x1,5	2-120	27

